



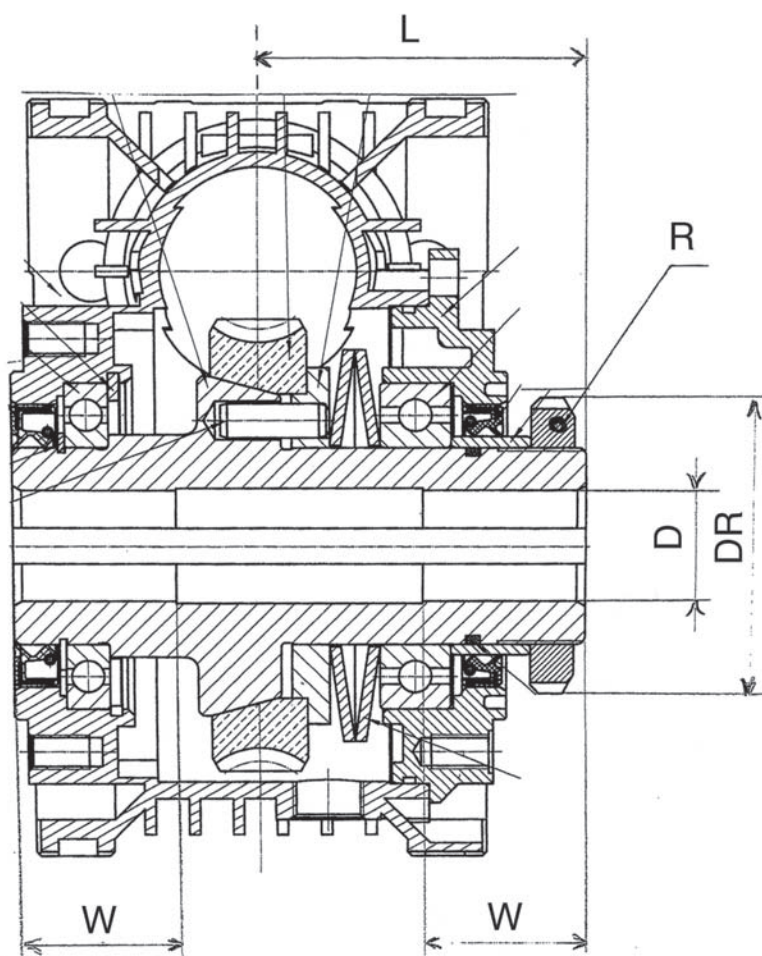
**CHML WORM GEARBOXES WITH
TORQUE LIMITER**



DESIGN FEATURES

CHML worm gearboxes are manufactured in three sizes 40-50-63.
The torque limiter assures protection of the gearbox from overloads.
The torque limiter, in oil bath, is maintenance free.
The hollow output shaft diameter is the same of standard gearboxes.
Gearbox dimensions, external ring nut excluded, are unchanged.
Adjusted the torque limiter with the ring nut in accordance to application request.

DIMENSIONS



	040	050	063
L	55	63,5	74
DR	45	56	62
R	M30x1,5	M40x1,5	M45x1,5
D	18	25	25
W	26	33	37

2D and 3D drawings available on the web site www.chiaravalli.com
Quantity, availability and prices with Chiaravalli B2B