



MVE - Standard Range

► MICRO MVE

3000 - 3600 rpm



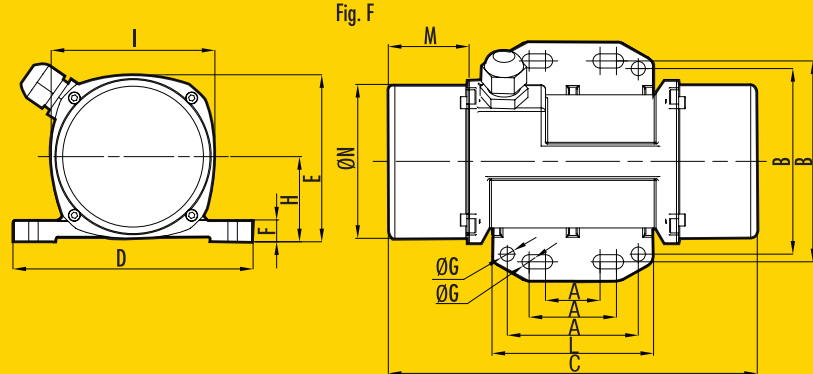
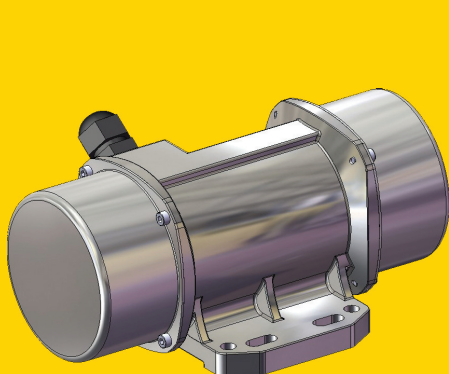
- II3 D Ex tD A22 Tx IP66
- TUV NORD Statement of Conformity Number TUV05ATEX2768X
- Equipment and protective system intended for use in potentially explosive atmospheres (Zone 22) - Directive 94/9/EC
- Compliance with Essential Health and Safety Requirements
- EN 61241-10

THREE PHASE	Mechanical Features			Electric Features				
	Unbalance In-lbs 60Hz	Max Force lbs 60Hz	Weight lb 60Hz	Power Hp 60 Hz	Current A max 60 Hz 460V	Class II Temp.Class (T)	II3 D Temp.Class (°C)	Cable Glande
MVE.0020.36.460	0.19	71	3.3	0.05	0.12	T4	100	M16
MVE.0040.36.460	0.37	137	3.7	0.09	0.25	T4	100	M16

Data of unit "TYPE" projects 60-Hz performance

SINGLE PHASE	Mechanical Features			Electric Features				
	Unbalance In-lbs 60Hz	Max Force lbs 60Hz	Weight lbs 60Hz	Power Hp 60 Hz	A max 60 Hz 115V	Class II Temp.Class (T)	II3 D Temp.Class (°C)	Cable Glande
MVE.0004.36.115	0.05	18	3.1	0.03	0.6	T4	100	M16
MVE.0005.36.115	0.05	18	3.1	0.03	0.6	T4	100	M16
MVE.0020.36.115	0.19	71	3.3	0.05	0.23	T4	100	M16
MVE.0040.36.115	0.37	137	3.7	0.09	0.80	T4	100	M16

Data of unit "TYPE" projects 60-Hz performance



CE Declaration of conformity type A according to:
- 73/23/EEC - 2006/42/CE - EN 60034-1

ETL - Class II Div. 2 Group F, G-T6-NEMA 4 conform to UL 1836 and CSAC 22.2 NO 25
- Intertek ETL - SEMCO File Number 3177001



TYPE	Dimensional Features													
	DRWG. REF	C (inch)	M (inch)	A (inch)	B (inch)	Ø G (inch)	Holes n°	D (inch)	E (inch)	F (inch)	H (inch)	I (inch)	L (inch)	N (inch)
MVE.0020.36.460	F	5.71	0.98	0.98-1.57 2.36	3.62 3.35	0.26	4	4.33	3.01	0.39	1.54	2.95	2.91	2.78
MVE.0040.36.460	F	6.65	1.46	0.98-1.57 2.36	3.62 3.35	0.26	4	4.33	3.01	0.39	1.54	2.95	2.91	2.78

Data of unit "TYPE" projects 60 Hz performance

NOTE Dimensions with coarse degree of accuracy related to UNI 22768/1

TYPE	Dimensional Features													
	DRWG. REF	C (inch)	M (inch)	A (inch)	B (inch)	Ø G (inch)	Holes n°	D (inch)	E (inch)	F (inch)	H (inch)	I (inch)	L (inch)	N (inch)
MVE.0004.36.460	F	5.71	0.98	0.98-1.57 2.36	3.62 3.35	0.26	4	4.33	3.01	0.39	1.54	2.95	2.91	2.78
MVE.0005.36.460	F	5.71	0.98	0.98-1.57 /	2.95 /	0.26	4	3.54	3.01	0.39	1.54	2.95	2.91	2.78
MVE.0020.36.460	F	5.71	0.98	0.98-1.57 2.36	3.62 3.35	0.26	4	4.33	3.01	0.39	1.54	2.95	2.91	2.78
MVE.0040.36.460	F	6.65	1.46	0.98-1.57 2.36	3.62 3.35	0.26	4	4.33	3.01	0.39	1.54	2.95	2.91	2.78

Data of unit "TYPE" projects 60 Hz performance

NOTE Dimensions with coarse degree of accuracy related to UNI 22768/1