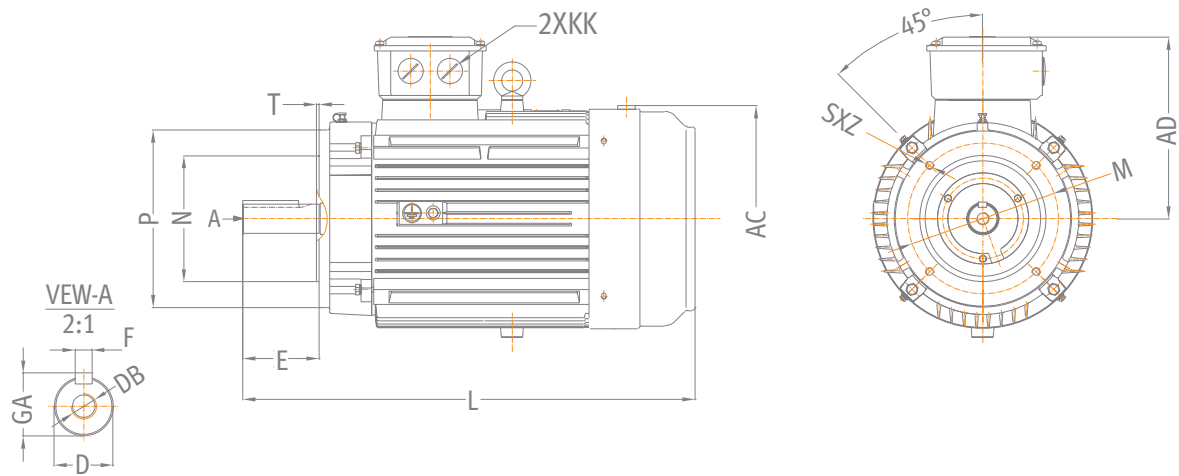


K-series

Dimension sheet



MOUNTING B14 SIZE 80-132

SMALL FLANGE B14 A

TYPE	P	N	M	T	S	Z	D	E	F	GA	DB	KK	AC	AD	L
K80	120	80	100	3	M6	4	19	40	6	21.5	M6x16	M25x1.5	175	148	295
K90S	140	95	115	3	M8	4	24	50	8	27	M8x19	M25x1.5	190	165	320
K90L															345
K100L	160	110	130	3.5	M8	4	28	60	8	31	M10x22	M32x1.5	215	170	385
K112L	160	110	130	3.5	M8	4	28	60	8	31	M10x22	M32x1.5	236	195	415
K132S	200	130	165	3.5	M10	4	38	80	10	41	M12x28	M32x1.5	275	215	490
K132M															520

MOUNTING B14 SIZE 80-132

LARGE FLANGE B14 B

TYPE	P	N	M	T	S	Z	D	E	F	GA	KK	DB	AC	AD	L
K80	160	110	130	3.5	M8	4	19	40	6	21.5	M25x1.5	M6x16	175	148	295
K90S	160	110	130	3.5	M8	4	24	50	8	27	M25x1.5	M8x19	190	165	320
K90L															345
K100L	200	130	165	3.5	M10	4	28	60	8	31	M32x1.5	M10x22	215	170	385
K112L	200	130	165	3.5	M10	4	28	60	8	31	M32x1.5	M10x22	236	195	415
K132S	250	180	215	4	M12	4	38	80	10	41	M32x1.5	M12x28	275	215	490
K132M															520