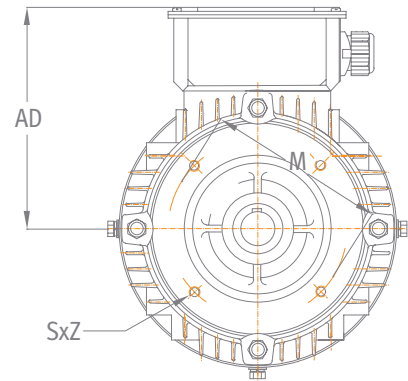
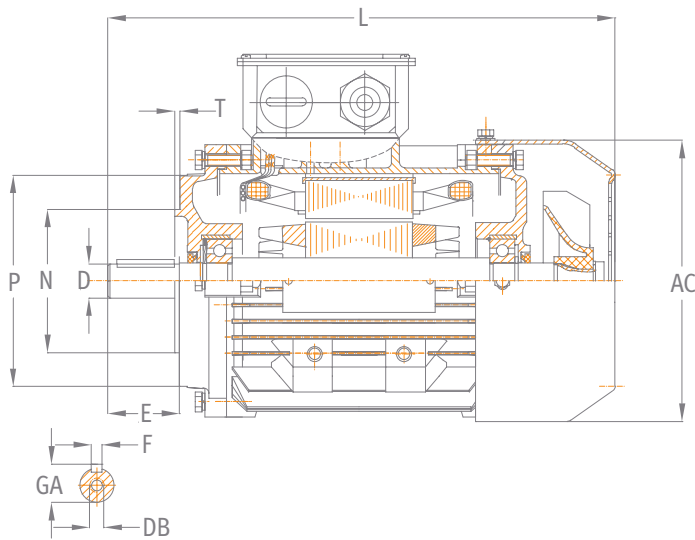


# AK-series

## Dimension sheet



### MOUNTING B14

#### SIZE 56-132

#### SMALL FLANGE B14A

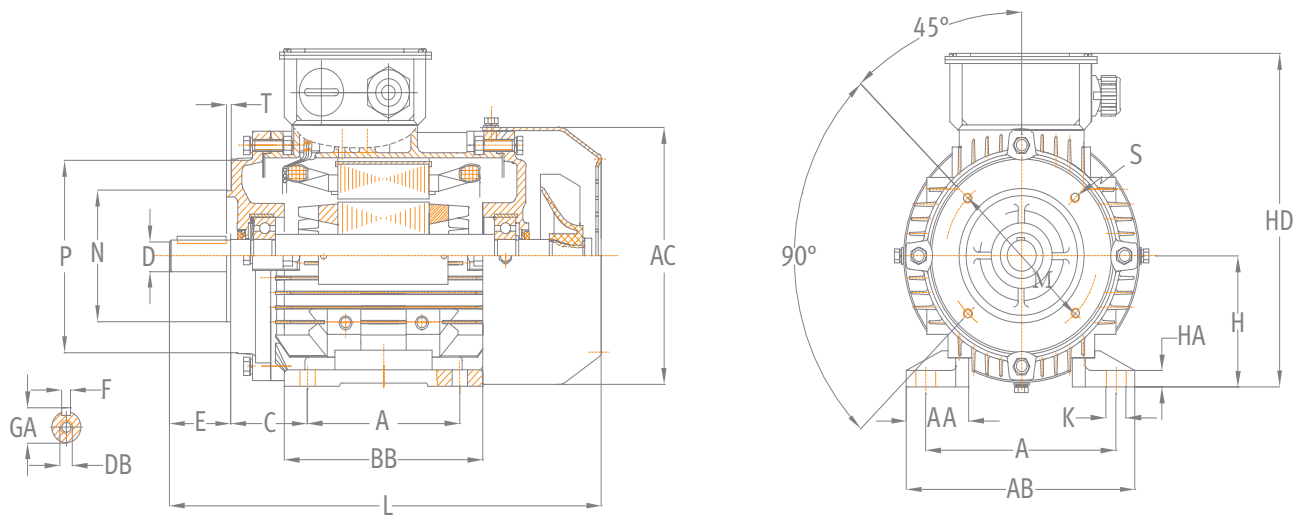
| TYPE   | P   | N   | M   | T   | S   | Z | D  | E  | F  | GA   | DB  | AC  | AD  | L   |
|--------|-----|-----|-----|-----|-----|---|----|----|----|------|-----|-----|-----|-----|
| AK56   | 80  | 50  | 65  | 2.5 | M5  | 4 | 9  | 20 | 3  | 10.2 | M3  | 112 | 98  | 192 |
| AK63   | 90  | 60  | 75  | 2.5 | M5  | 4 | 11 | 23 | 4  | 12.5 | M4  | 121 | 102 | 210 |
| AK71   | 105 | 70  | 85  | 2.5 | M6  | 4 | 14 | 30 | 5  | 16.1 | M4  | 137 | 109 | 250 |
| AK80   | 120 | 80  | 100 | 3   | M6  | 4 | 19 | 40 | 6  | 21.5 | M5  | 156 | 125 | 280 |
| AK90S  | 140 | 95  | 115 | 3   | M8  | 4 | 24 | 50 | 8  | 27   | M8  | 176 | 140 | 310 |
| AK90L  |     |     |     |     |     |   |    |    |    |      |     |     |     | 335 |
| AK100L | 160 | 110 | 130 | 3.5 | M8  | 4 | 28 | 60 | 8  | 31   | M8  | 196 | 150 | 370 |
| AK112L | 160 | 110 | 130 | 3.5 | M8  | 4 | 28 | 60 | 8  | 31   | M8  | 220 | 168 | 395 |
| AK132S | 200 | 130 | 165 | 3.5 | M10 | 4 | 38 | 80 | 10 | 41   | M12 | 260 | 188 | 465 |
| AK132M |     |     |     |     |     |   |    |    |    |      |     |     |     | 495 |

#### LARGE FLANGE B14B

| TYPE   | P   | N   | M   | T   | S   | Z | D  | E  | F  | GA   | DB  | AC  | AD  | L   |
|--------|-----|-----|-----|-----|-----|---|----|----|----|------|-----|-----|-----|-----|
| AK56   | 105 | 70  | 85  | 2.5 | M6  | 4 | 9  | 20 | 3  | 10.2 | M3  | 112 | 98  | 192 |
| AK63   | 120 | 80  | 100 | 3   | M6  | 4 | 11 | 23 | 4  | 12.5 | M4  | 121 | 102 | 210 |
| AK71   | 140 | 95  | 115 | 3   | M8  | 4 | 14 | 30 | 5  | 16.1 | M4  | 137 | 109 | 250 |
| AK80   | 160 | 110 | 130 | 3.5 | M8  | 4 | 19 | 40 | 6  | 21.5 | M5  | 156 | 125 | 280 |
| AK90S  | 160 | 110 | 130 | 3.5 | M8  | 4 | 24 | 50 | 8  | 27   | M8  | 176 | 140 | 310 |
| AK90L  |     |     |     |     |     |   |    |    |    |      |     |     |     | 335 |
| AK100L | 200 | 130 | 165 | 3.5 | M10 | 4 | 28 | 60 | 8  | 31   | M8  | 196 | 150 | 370 |
| AK112L | 200 | 130 | 165 | 3.5 | M10 | 4 | 28 | 60 | 8  | 31   | M8  | 220 | 168 | 395 |
| AK132S | 250 | 180 | 215 | 4   | M12 | 4 | 38 | 80 | 10 | 41   | M12 | 260 | 188 | 465 |
| AK132M |     |     |     |     |     |   |    |    |    |      |     |     |     | 495 |

# AK-series

## Dimension sheet



### MOUNTING B34

#### SIZE 56-132

| TYPE   | P   | N   | M   | T   | S   | Z | H   | A   | B   | AA | AB  | BB  | AC  | HD  | HA | K   | D  | E  | F  | GA   | DB  | L   | C  |
|--------|-----|-----|-----|-----|-----|---|-----|-----|-----|----|-----|-----|-----|-----|----|-----|----|----|----|------|-----|-----|----|
| AK56   | 80  | 50  | 65  | 2.5 | M5  | 4 | 56  | 90  | 71  | 25 | 110 | 90  | 121 | 154 | 8  | M6  | 9  | 20 | 3  | 10.2 | M3  | 192 | 36 |
| AK63   | 90  | 60  | 75  | 2.5 | M5  | 4 | 63  | 100 | 80  | 34 | 120 | 110 | 121 | 165 | 8  | M7  | 11 | 23 | 4  | 12.5 | M4  | 210 | 40 |
| AK71   | 105 | 70  | 85  | 2.5 | M6  | 4 | 71  | 112 | 90  | 36 | 132 | 120 | 137 | 180 | 9  | M7  | 14 | 30 | 5  | 16   | M5  | 250 | 45 |
| AK80   | 120 | 80  | 100 | 3   | M6  | 4 | 80  | 125 | 100 | 41 | 152 | 132 | 156 | 205 | 10 | M10 | 19 | 40 | 6  | 21.5 | M6  | 280 | 50 |
| AK90S  | 140 | 95  | 115 | 3   | M8  | 4 | 90  | 140 | 100 | 47 | 168 | 140 | 176 | 230 | 12 | M10 | 24 | 50 | 8  | 27   | M8  | 310 | 56 |
| AK90L  |     |     |     |     |     |   |     |     | 125 |    |     | 165 |     |     |    |     |    |    |    |      |     | 335 |    |
| AK100L | 160 | 110 | 130 | 3.5 | M8  | 4 | 100 | 160 | 140 | 50 | 192 | 176 | 196 | 250 | 12 | M12 | 28 | 60 | 8  | 31   | M10 | 370 | 63 |
| AK112M | 160 | 110 | 130 | 3.5 | M8  | 4 | 112 | 190 | 140 | 60 | 222 | 180 | 220 | 280 | 14 | M12 | 28 | 60 | 8  | 31   | M10 | 395 | 71 |
| AK132S | 200 | 130 | 165 | 3.5 | M10 | 4 | 132 | 216 | 140 | 61 | 248 | 224 | 260 | 320 | 15 | M12 | 38 | 80 | 10 | 41   | M12 | 465 | 89 |
| AK132M |     |     |     |     |     |   |     |     | 178 |    |     | 224 |     |     |    |     |    |    |    |      |     | 260 |    |

### BEARING SIZES FOR AK SERIES MOTORS

| Frame | Drive-End |          | Non-Drive End |          |
|-------|-----------|----------|---------------|----------|
|       | 2p        | 4, 6, 8p | 2p            | 4, 6, 8p |
| 56    | 6201 C3   | 6201 C3  | 6201 C3       | 6201 C3  |
| 63    | 6201 C3   | 6201 C3  | 6201 C3       | 6201 C3  |
| 71    | 6202 C3   | 6202 C3  | 6202 C3       | 6202 C3  |
| 80    | 6204 C3   | 6204 C3  | 6204 C3       | 6204 C3  |
| 90    | 6205 C3   | 6205 C3  | 6205 C3       | 6205 C3  |
| 100   | 6206 C3   | 6206 C3  | 6206 C3       | 6206 C3  |
| 112   | 6306 C3   | 6306 C3  | 6306 C3       | 6306 C3  |
| 132   | 6308 C3   | 6308 C3  | 6308 C3       | 6308 C3  |