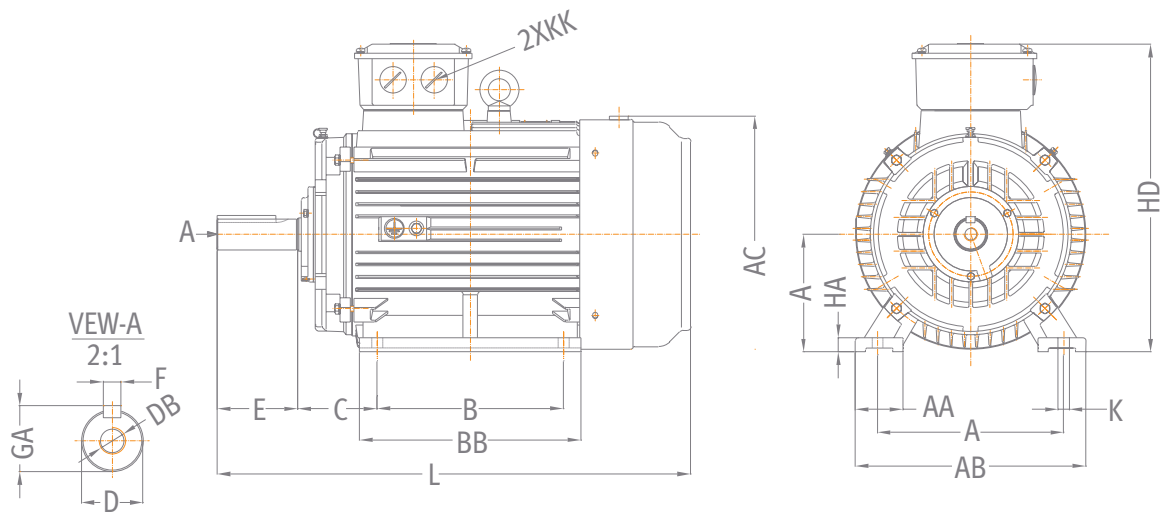


K-series

Dimension sheet



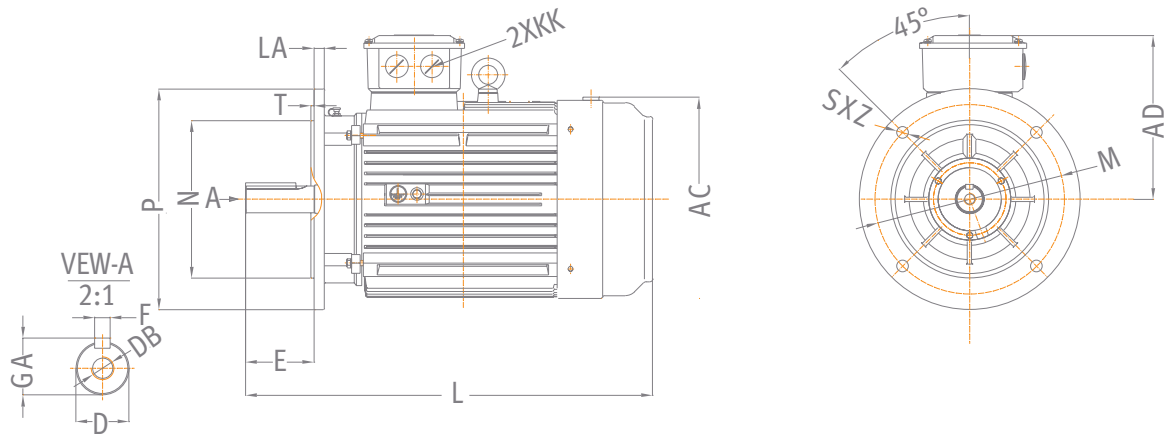
MOUNTING B3

SIZE 80-355

TYPE	H	A	B	C	AA	AB	BB	AC	HD	HA	KK	K	D	E	F	GA	DB	L
K80	80	125	100	50	34	160	130	175	230	10	M25x1.5	10	19	40	6	21.5	M6x16	295
K90S	90	140	100	56	36	180	135	190	260	12.5	M25x1.5	10	24	50	8	27	M8x19	320
K90L			125				160											345
K100L	100	160	140	63	40	200	182	215	270	14	M32x1.5	12	28	60	8	31	M10x22	385
K112M	112	190	140	70	45	230	195	236	310	14	M32x1.5	12	28	60	8	31	M10x22	415
K132S	132	216	140	89	52	265	208	275	350	16	M32x1.5	12	38	80	10	41	M12x28	490
K132M			178				245											520
K160M	160	254	210	108	65	320	260	330	425	19	M40x1.5	14.5	42	110	12	45	M16x36	610
K160L			254				305											655
K180M	180	279	241	121	74	350	297	380	460	22	M40x1.5	14.5	48	110	14	51.5	M16x36	680
K180L			279				335											720
K200L	200	318	305	133	75	395	370	420	515	25	M50x1.5	18.5	55	110	16	59	M20x42	760
K225S	225	356	286	149	75	436	355	465	560	28	M50x1.5	18.5	60	140	18	64	M20x42	825
K225M-2			311				380						55	110	16	59		820
K225M-4-6-8			311				60						140	18	64	850		
K250M-2	250	406	349	168	88	495	440	520	620	33	M63x1.5	24	60	140	18	64	M20x42	925
K250M-4-6-8			65				69											
K280S-2	280	457	368	190	109	550	535	570	685	35	M63x1.5	24	65	140	18	69	M20x42	970
K280S-4-6-8			368				75						20		79.5			
K280M-2			419				65						18		69			
K280M-4-6-8			419				75						20		79.5	1010		
K315S-2	315	508	406	216	120	635	515	650	820	45	M63x1.5	28	65	140	18	69	M20x42	1160
K315S-4-6-8			80				170						22	85	1190			
K315M-2			65				140						18	69	1270			
K315M-4-6-8			80				170						22	85	1300			
K315L-2			65				140						18	69	1270			
K315L-4-6-8			80				170						22	85	1300			
K355M-2	355	610	560	254	125	735	775	735	1000	49	M63x1.5	28	75	140	20	79.5	M24x50	1500
K355M-4-6-8			100				210						28	106	1570			
K355L-2			75				140						20	79.5	1500			
K355L-4-6-8			100				210						28	106	1570			

K-series

Dimension sheet



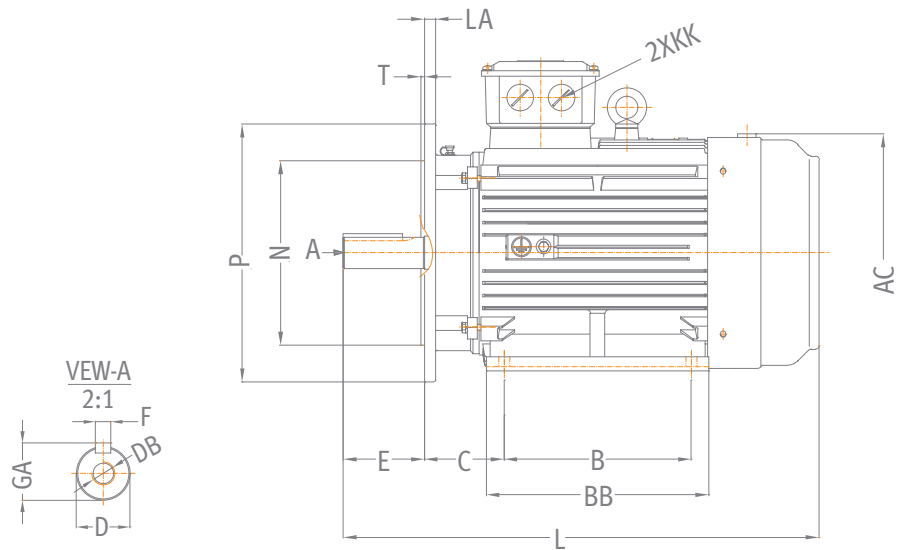
MOUNTING B5

SIZE 80-355

TYPE	P	N	LA	M	T	S	Z	D	E	F	KK	GA	DB	AD	AC	L
K80	200	130	12	165	3,5	12	4	19	40	6	M25x1.5	21,5	M6x16	148	175	295
K90S	200	130	12	165	3,5	12	4	24	50	8	M25x1.5	27	M8x19	165	190	320
K90L																345
K100L	250	180	12	215	4	14.5	4	28	60	8	M32x1.5	31	M10x22	170	215	385
K112M	250	180	12	215	4	14.5	4	28	60	8	M32x1.5	31	M10x22	195	236	415
K132S	300	230	13	265	4	14.5	4	38	80	10	M32x1.5	41	M12x28	215	275	490
K132M																520
K160M	350	250	15	300	5	18.5	4	42	110	12	M40x1.5	45	M16x36	265	330	610
K160L																655
K180M	350	250	15	300	5	18.5	4	48	110	14	M40x1.5	51,5	M16x36	280	380	680
K180L																720
K200L	400	300	17	350	5	18.5	4	55	110	16	M50x1.5	59	M20x42	315	420	760
K225S	450	350	20	400	5	18.5	8	60	140	18	M50x1.5	64	M20x42	335	465	825
K225M-2								55	110	16		59				820
K225M-4-6-8								60	140	18		64				850
K250M-2	550	450	20	500	5	18.5	8	60	140	18	M63x1.5	64	M20x42	375	520	925
K250M-4-6-8								65	69	69						
K280S-2	550	450	20	500	5	18.5	8	65	140	18	M63x1.5	69	M20x42	405	570	970
K280S-4-6-8								75		20		79,5				
K280M-2								65		18		69				
K280M-4-6-8								75		20		79,5				
K315S-2	660	550	24	600	6	24	8	65	140	18	M63x1.5	69	M20x42	500	650	1160
K315S-4-6-8								80	170	22		85				1190
K315M-2								65	140	18		69				1270
K315M-4-6-8								80	170	22		85				1300
K315L-2								65	140	18		69				1270
K315L-4-6-8								80	170	22		85				1300
K355M-2	800	680	25	740	6	24	8	75	140	20	M63x1.5	79,5	M24x50	645	735	1500
K355M-4-6-8								100	210	28		106				1570
K355L-2								75	140	20		79,5	1500			
K355L-4-6-8								100	210	28		106	1570			

K-series

Dimension sheet



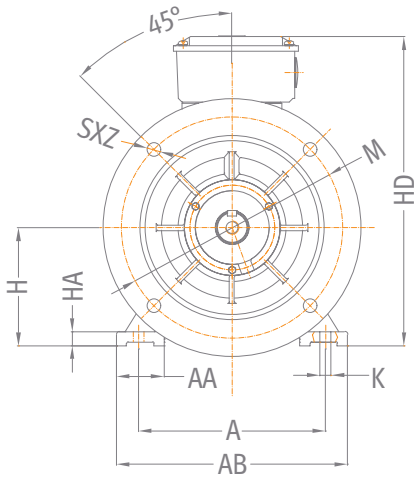
MOUNTING B35

SIZE 80-355

TYPE	H	A	B	C	AA	AB	BB	AC	HD	HA	KK	K
K80	80	125	100	50	34	160	130	175	230	10	M25x1.5	10
K90S	90	140	100	56	36	180	135	190	260	12.5	M25x1.5	10
K90L			125				160					
K100L	100	160	140	63	40	200	182	215	270	14	M32x1.5	12
K112M	112	190	140	70	45	230	195	236	310	14	M32x1.5	12
K132S	132	216	140	89	52	265	208	275	350	16	M32x1.5	12
K132M			178				245					
K160M	160	254	210	108	65	320	260	330	425	19	M40x1.5	14.5
K160L			254				305					
K180M	180	279	241	121	74	350	297	380	460	22	M40x1.5	14.5
K180L			279				335					
K200L	200	318	305	133	75	395	370	420	515	25	M50x1.5	18.5
K225S	225	356	286	149	75	436	355	465	560	28	M50x1.5	18.5
K225M-2			311				380					
K225M-4-6-8												
K250M-2	250	406	349	168	88	495	440	520	620	33	M63x1.5	24
K250M-4-6-8												
K280S-2	280	457	368	190	109	550	535	570	685	35	M63x1.5	24
K280S-4-6-8												
K280M-2			419									
K280M-4-6-8												
K315S-2	315	508	406	216	120	635	515	650	820	45	M63x1.5	28
K315S-4-6-8												
K315M-2			457									
K315M-4-6-8												
K315L-2							508					
K315L-4-6-8												
K355M-2	355	610	560	254	125	735	775	735	1000	49	M63x1.5	28
K355M-4-6-8												
K355L-2			630									
K355L-4-6-8												

K-series

Dimension sheet

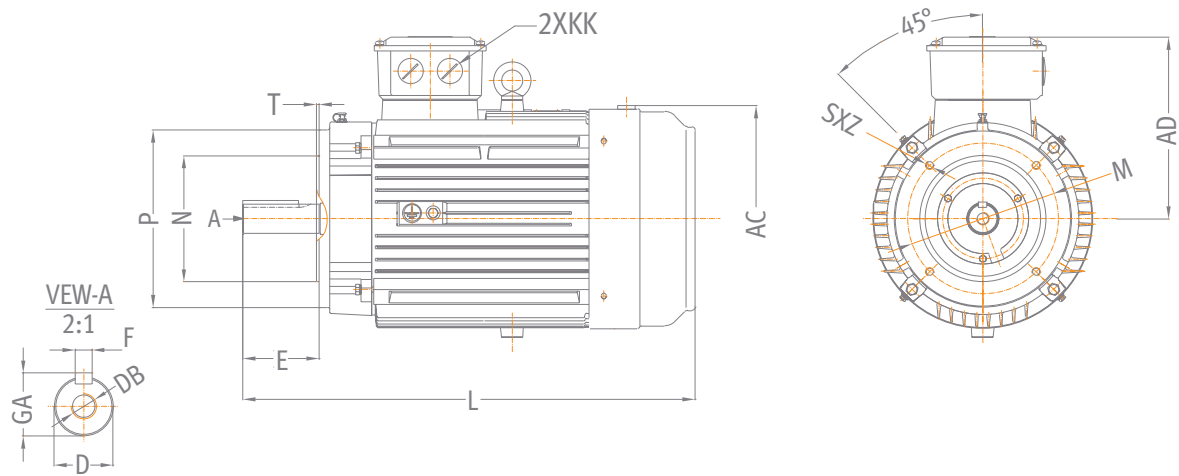


MOUNTING B35 SIZE 80-355

P	N	LA	M	T	S	Z	D	E	F	GA	DB	L	TYPE	
200	130	12	165	3,5	12	4	19	40	6	21.5	M6x16	295	K80	
200	130	12	165	3,5	12	4	24	50	8	27	M8x19	320	K90S	
												345	K90L	
250	180	12	215	4	14.5	4	28	60	8	31	M10x22	385	K100L	
250	180	12	215	4	14.5	4	28	60	8	31	M10x22	415	K112M	
300	230	13	265	4	14.5	4	38	80	10	41	M12x28	490	K132S	
												520	K132M	
350	250	15	300	5	18.5	4	42	110	12	45	M16x36	610	K160M	
												655	K160L	
350	250	15	300	5	18.5	4	48	110	14	51.5	M16x36	680	K180M	
												720	K180L	
400	300	17	350	5	18.5	4	55	110	16	59	M20x42	760	K200L	
450	350	20	400	5	18.5	8	60	140	18	64	M20x42	825	K225S	
							55	110	16	59		820	K225M-2	
							60	140	18	64		850	K225M-4-6-8	
550	450	20	500	5	18.5	8	60	140	18	64	M20x42	925	K250M-2	
							65						69	K250M-4-6-8
550	450	20	500	5	18.5	8	65	140	18	69	M20x42	970	K280S-2	
							75		20	79.5			K280S-4-6-8	
							65		20	18		69	1010	K280M-2
							75			20		79.5		K280M-4-6-8
660	550	24	600	6	24	8	65	140	18	69	M20x42	1160	K315S-2	
							80		170	22		85	1190	K315S-4-6-8
							65		140	18		69	1270	K315M-2
							80		170	22		85	1300	K315M-4-6-8
							65		140	18		69	1270	K315L-2
							80		170	22		85	1300	K315L-4-6-8
800	680	25	740	6	24	8	75	140	20	79.5	M24x50	1500	K355M-2	
							100		210	28		106	1570	K355M-4-6-8
							75		140	20		79.5	1500	K355L-2
							100		210	28		106	1570	K355L-4-6-8

K-series

Dimension sheet



MOUNTING B14

SIZE 80-132

SMALL FLANGE B14 A

TYPE	P	N	M	T	S	Z	D	E	F	GA	DB	KK	AC	AD	L
K80	120	80	100	3	M6	4	19	40	6	21.5	M6x16	M25x1.5	175	148	295
K90S	140	95	115	3	M8	4	24	50	8	27	M8x19	M25x1.5	190	165	320
K90L															345
K100L	160	110	130	3.5	M8	4	28	60	8	31	M10x22	M32x1.5	215	170	385
K112L	160	110	130	3.5	M8	4	28	60	8	31	M10x22	M32x1.5	236	195	415
K132S	200	130	165	3.5	M10	4	38	80	10	41	M12x28	M32x1.5	275	215	490
K132M															520

MOUNTING B14

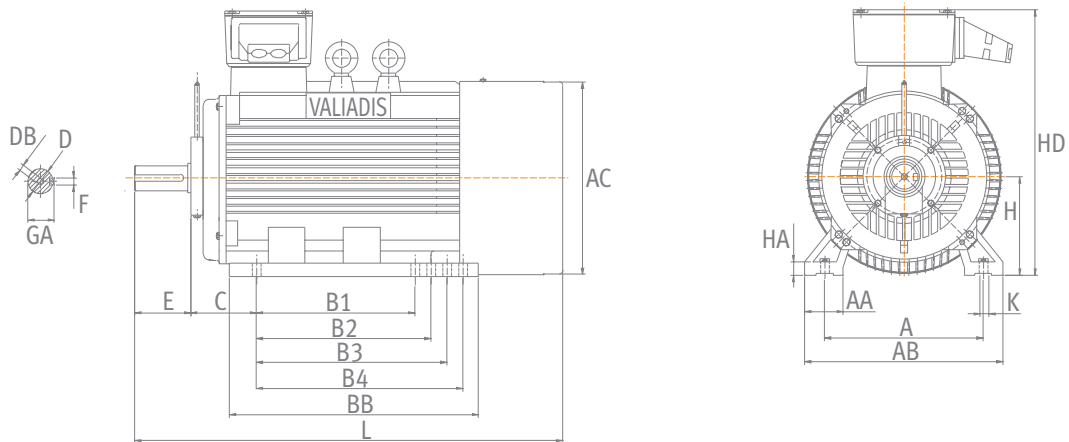
SIZE 80-132

LARGE FLANGE B14 B

TYPE	P	N	M	T	S	Z	D	E	F	GA	KK	DB	AC	AD	L
K80	160	110	130	3.5	M8	4	19	40	6	21.5	M25x1.5	M6x16	175	148	295
K90S	160	110	130	3.5	M8	4	24	50	8	27	M25x1.5	M8x19	190	165	320
K90L															345
K100L	200	130	165	3.5	M10	4	28	60	8	31	M32x1.5	M10x22	215	170	385
K112L	200	130	165	3.5	M10	4	28	60	8	31	M32x1.5	M10x22	236	195	415
K132S	250	180	215	4	M12	4	38	80	10	41	M32x1.5	M12x28	275	215	490
K132M															520

K-series

Dimension sheet



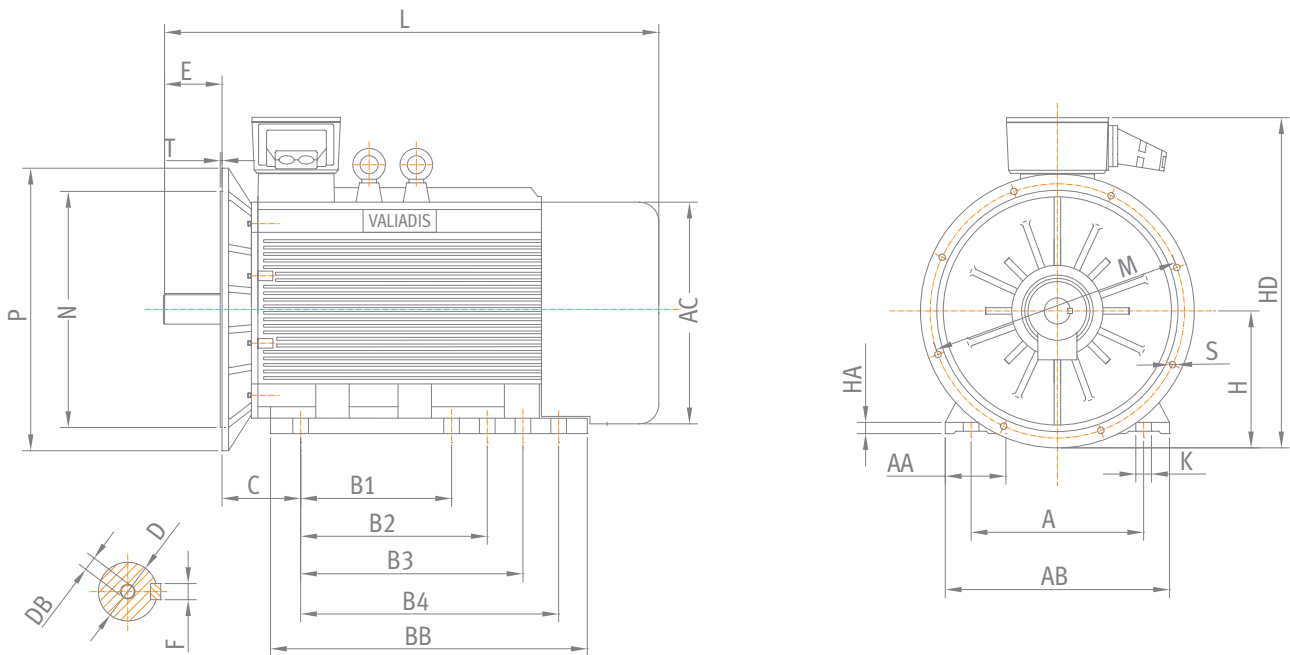
MOUNTING B3 SIZE 400-560

TYPE	H	A	B1	B2	B3	B4	C	AA	AB
K400 - 2	400	686	630	710	-	-	280	120	806
K400 4-6-8									
K450 - 2	450	800	900	1000	1120	1250	280	225	980
K450 4-6-8									
K500 4-6-8	500	1000	1400	-	-	-	315	180	1080
K560 4-6-8	560	1000	1400	-	-	-	355	210	1170

TYPE	BB	AC	HD	HA	K	D	E	F	DB	L
K400 - 2	1090	810	1090	45	Ø35	80	170	22	M20	1841
K400 4-6-8						110m6	210	28	M24	1881
K450 - 2	1495	1035	1310	45	Ø35	95	170	25	M24	2360
K450 4-6-8						120	210	32		2400
K500 4-6-8	1600	1095	1365	65	Ø42	140	250	36	M24	2520
K560 4-6-8	1680	1195	1480	76	Ø42	160	300	40	M24	2650

K-series

Dimension sheet



MOUNTING B35

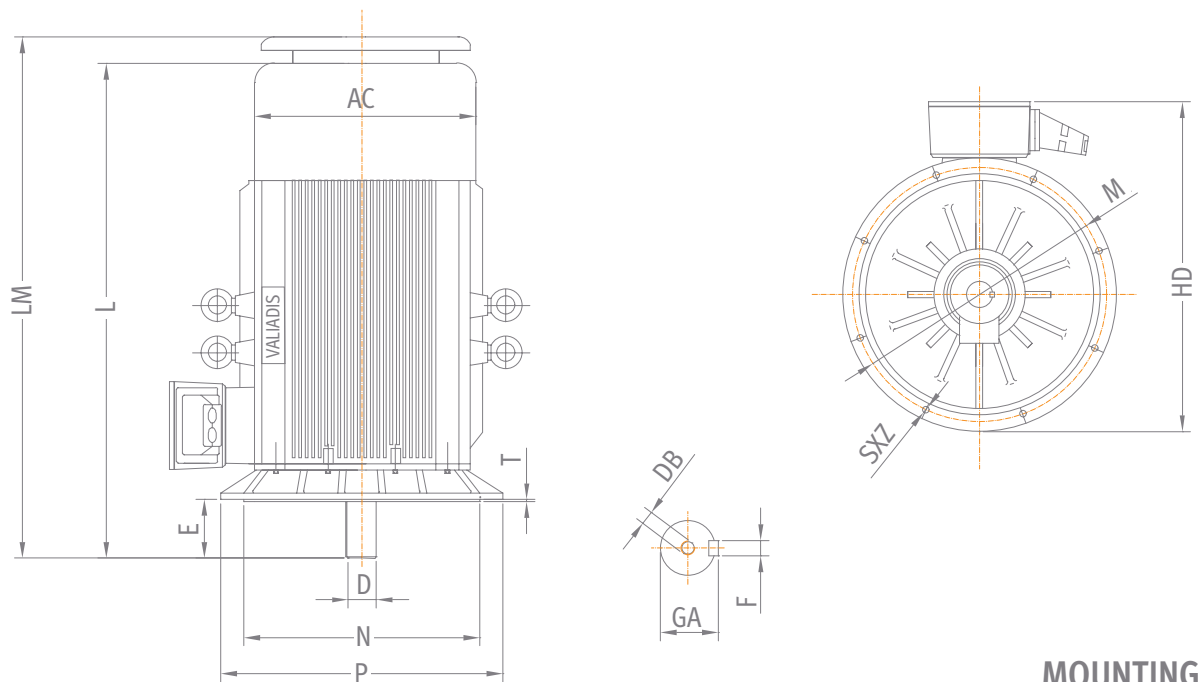
SIZE 400-560

TYPE	P	N	M	T	S	H	A	B1	B2	B3	B4	C
K400 - 2	1000	880	940	6	8Ø28	400	686	630	710	-	-	280
K400 4-6-8												
K450 - 2	1000	880	940	6	8Ø28	450	800	900	1000	1120	1250	280
K450 4-6-8												
K500 4-6-8	1150	1000	1080	6	8Ø28	500	900	1120	-	-	-	315
K560 4-6-8	1250	1120	1180	7	8Ø28	560	1000	1400	-	-	-	355

TYPE	AA	AB	BB	AC	HD	HA	K	D	E	F	DB	L
K400 - 2	120	806	1090	810	1075	45	Ø35	80	170	22	M20	1841
K400 4-6-8								110m6	210	28	M24	1881
K450 - 2	225	980	1495	1035	1310	45	Ø35	95	170	25	M24	2360
K450 4-6-8								120	210	32		2400
K500 4-6-8	180	1080	1600	1095	1365	65	Ø42	140	250	36	M24	2520
K560 4-6-8	210	1170	1680	1195	1480	76	Ø42	160	300	40	M24	2650

K-series

Dimension sheet



MOUNTING V1 SIZE 400-560

TYPE	P	N	M	T	S	D	E	F	GA	HD	AC	L	LM
K400-2	1000	880	940	6	8xØ28	80	170	22	85	1275	865	1841	2161
K400-4-6-8						110m6	210	810	400			1881	2201
K450-2	1000	880	940	6	8xØ28	95	170	25	100	1536	1035	2360	2710
K450-4-6-8						120	210	32	127			2400	2750
K500-4-6-8	1150	1000	1080	6	8xØ28	140	250	36	148	1576	1095	2520	2850
K560-4-6-8	1250	1120	1180	7	8xØ28	160	300	40	168	1681	1195	2650	3000

BEARINGS

Frame	Drive-End		Non-Drive-End	
	2p	4,6,8p	2p	4,6,8p
80	6204ZC3	6204ZC3	6204ZC3	6204ZC3
90	6205ZC3	6205ZC3	6205ZC3	6205ZC3
100	6206ZC3	6206ZC3	6206ZC3	6206ZC3
112	6306ZC3	6306ZC3	6306ZC3	6306ZC3
132	6308ZC3	6308ZC3	6308ZC3	6308ZC3
160	6309C3	6309C3	6309C3	6309C3
180	6311C3	6311C3	6311C3	6311C3
200	6312C3	6312C3	6312C3	6312C3
225	6313C3	6313C3	6313C3	6313C3
250	6314C3	6314C3	6314C3	6314C3
280	6314C3	6317C3	6314C3	6317C3
315	6316C3	6319C3 or NU319	6316C3	6319C3 or NU319
355	6319C3	6322C3 or NU322	6319C3	6322C3 or NU322
400	6317C3	6326C3 or NU326	6317C3	6326C3 or NU326
450	6319C3	6318C3 or NU328	6319C3	6318C3 or NU328
500		6330C3 or NU330		6330C3 or NU330
560		6330C3 or NU330		6330C3 or NU330