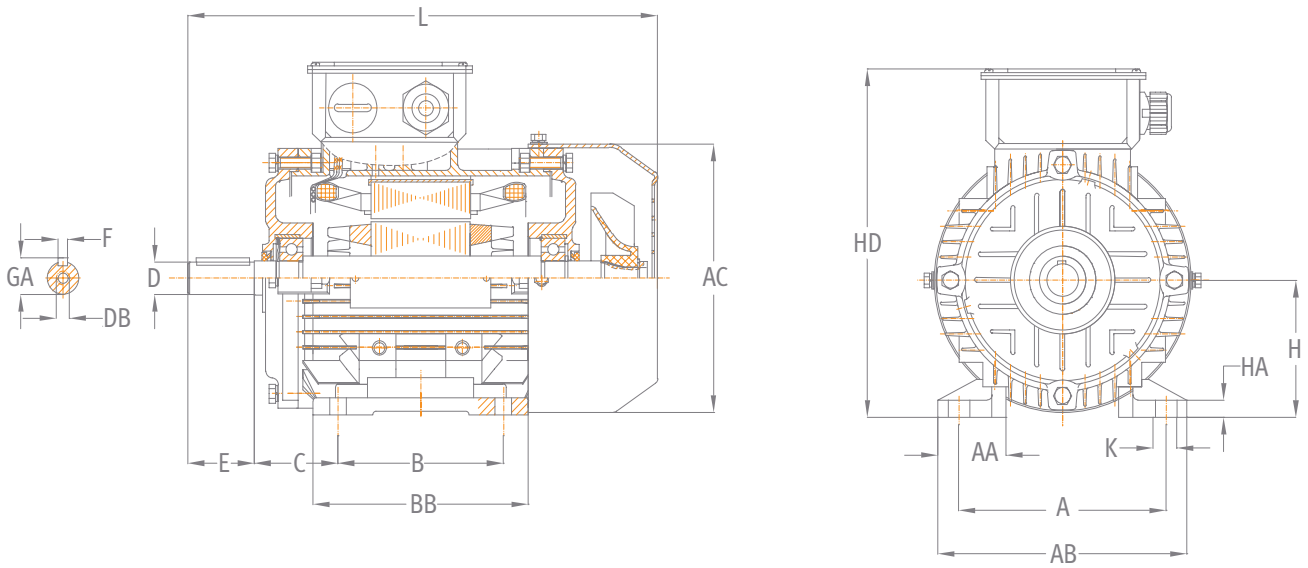


AK-series

Dimension sheet

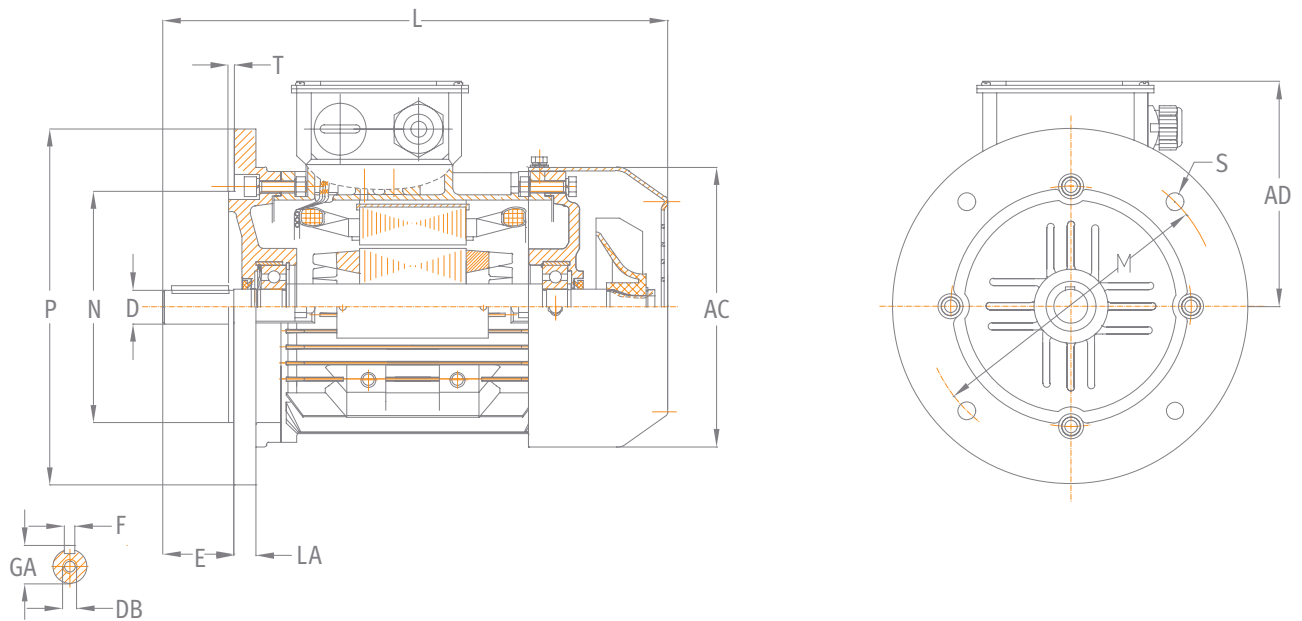


MOUNTING B3 SIZE 56-132

TYPE	H	A	B	C	AA	AB	BB	AC	HD	HA	K	D	E	F	GA	DB	L
AK56	56	90	71	36	25	110	90	121	154	8	M6	9	20	3	10,2	M3	192
AK63	63	100	80	40	34	120	110	121	165	8	M7	11	23	4	12,5	M4	210
AK71	71	112	90	45	36	132	120	137	180	9	M7	14	30	5	16	M5	250
AK80	80	125	100	50	41	152	132	156	205	10	M10	19	40	6	21,5	M6	280
AK90S	90	140	100	56	47	168	140	176	230	12	M10	24	50	8	27	M8	310
AK90L			125				165										335
AK100L	100	160	140	63	50	192	176	196	250	12	M12	28	60	8	31	M10	370
AK112M	112	190	140	70	60	222	180	220	280	14	M12	28	60	8	31	M10	395
AK132S	132	216	140	89	61	248	224	260	320	15	M12	38	80	10	41	M12	465
AK132M			178														495

AK-series

Dimension sheet



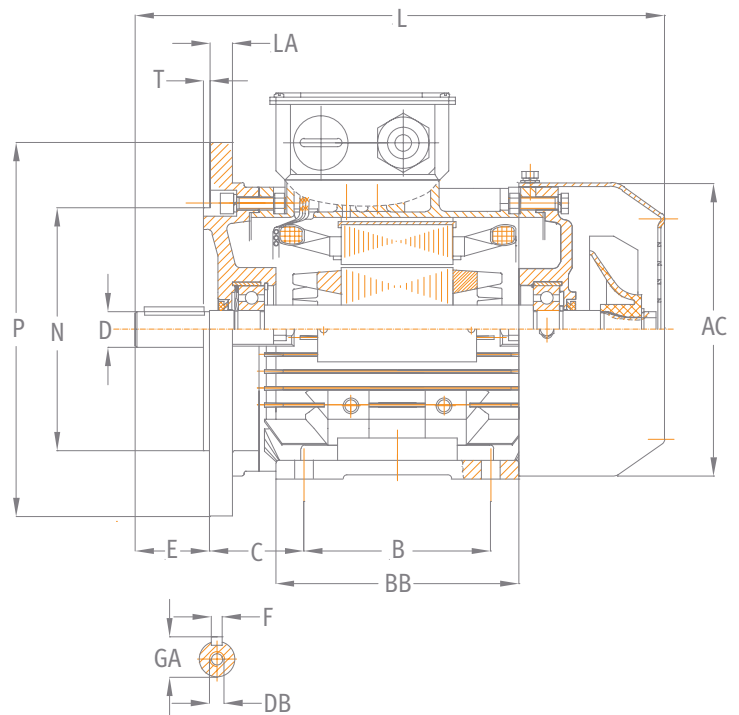
MOUNTING B5

SIZE 56-132

TYPE	P	N	LA	M	T	S	Z	D	E	F	GA	DB	AD	AC	L
AK56	120	80	9	100	3	7	4	9	20	3	10,2	M3	98	112	192
AK63	140	95	9	115	3	10	4	11	23	4	12,5	M4	102	121	210
AK71	160	110	10	130	3,5	10	4	14	30	5	16	M5	109	137	250
AK80	200	130	11	165	3,5	12	4	19	40	6	21,5	M6	125	156	280
AK90S	200	130	11	165	3,5	12	4	24	50	8	27	M8	140	176	310
AK90L															335
AK100L	250	180	14	215	4	15	4	28	60	8	31	M10	150	196	370
AK112M	250	180	14	215	4	15	4	28	60	8	31	M10	168	220	395
AK132S	300	230	16	265	4	15	4	38	80	10	41	M12	188	260	465
AK132M															495

AK-series

Dimension sheet



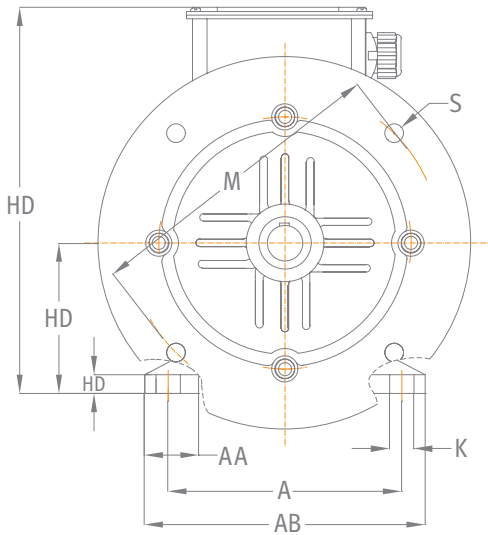
MOUNTING B35

SIZE 56-132

TYPE	P	N	LA	M	T	S	Z	H	A	B	C	AA
AK56	120	80	9	100	3	7	4	56	90	71	36	25
AK63	140	95	9	115	3	10	4	63	100	80	40	34
AK71	160	110	10	130	3.5	10	4	71	112	90	45	36
AK80	200	130	11	165	3.5	12	4	80	125	100	50	41
AK90S	200	130	11	165	3.5	12	4	90	140	100	56	47
AK90L										125		
AK100L	250	180	14	215	4	15	4	100	160	140	63	50
AK112M	250	180	14	215	4	15	4	112	190	140	70	60
AK132S	300	230	16	265	4	15	4	132	216	140	89	61
AK132M										178		

AK-series

Dimension sheet



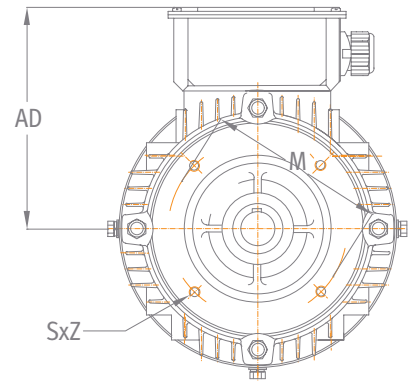
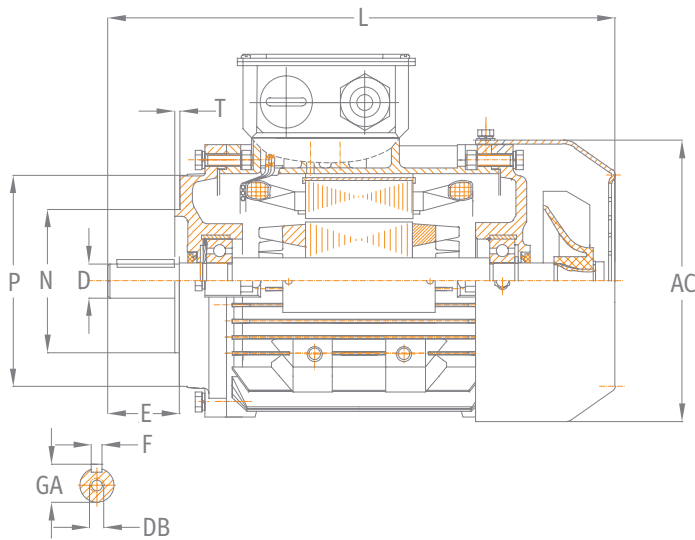
MOUNTING B35

SIZE 56-132

AB	BB	AC	HD	HA	K	D	E	F	GA	DB	L	TYPE
110	90	112	154	8	M6	9	20	3	10.2	M3	192	AK56
120	110	121	165	8	M7	11	23	4	12.5	M4	210	AK63
132	120	137	180	9	M7	14	30	5	16	M5	250	AK71
152	132	156	205	10	M10	19	40	6	21.5	M6	280	AK80
168	140	176	230	12	M10	24	50	8	27	M8	310	AK90S
	165										335	AK90L
192	176	196	250	12	M12	28	60	8	31	M10	370	AK100L
222	180	220	280	14	M12	28	60	8	31	M10	395	AK112M
248	224	260	320	15	M12	38	80	10	41	M12	465	AK132S
											495	AK132M

AK-series

Dimension sheet



MOUNTING B14

SIZE 56-132

SMALL FLANGE B14A

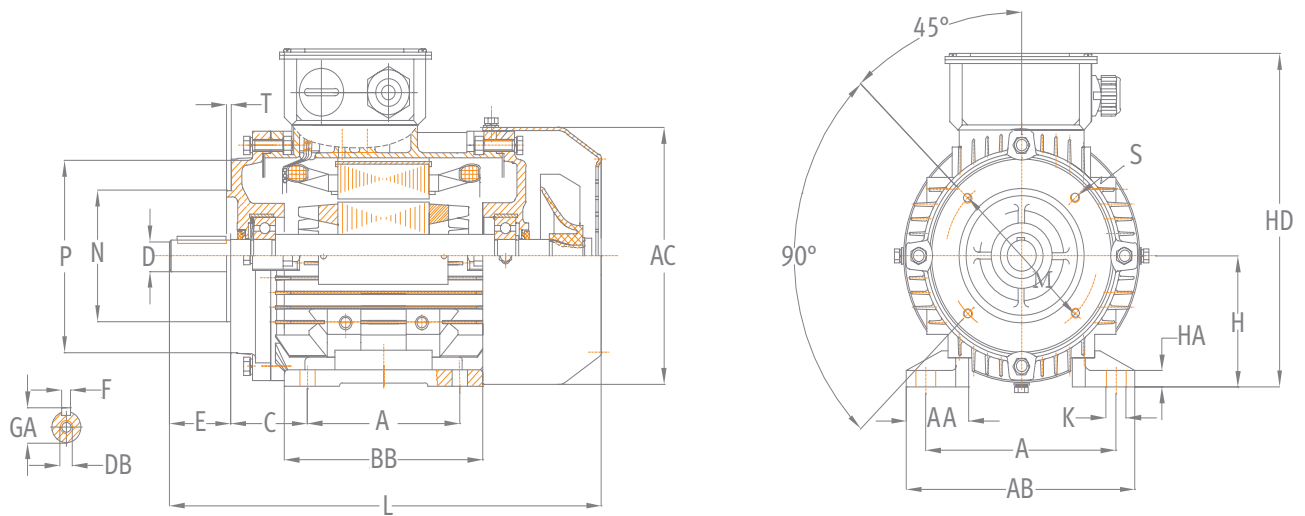
TYPE	P	N	M	T	S	Z	D	E	F	GA	DB	AC	AD	L
AK56	80	50	65	2.5	M5	4	9	20	3	10.2	M3	112	98	192
AK63	90	60	75	2.5	M5	4	11	23	4	12.5	M4	121	102	210
AK71	105	70	85	2.5	M6	4	14	30	5	16.1	M4	137	109	250
AK80	120	80	100	3	M6	4	19	40	6	21.5	M5	156	125	280
AK90S	140	95	115	3	M8	4	24	50	8	27	M8	176	140	310
AK90L														335
AK100L	160	110	130	3.5	M8	4	28	60	8	31	M8	196	150	370
AK112L	160	110	130	3.5	M8	4	28	60	8	31	M8	220	168	395
AK132S	200	130	165	3.5	M10	4	38	80	10	41	M12	260	188	465
AK132M														495

LARGE FLANGE B14B

TYPE	P	N	M	T	S	Z	D	E	F	GA	DB	AC	AD	L
AK56	105	70	85	2.5	M6	4	9	20	3	10.2	M3	112	98	192
AK63	120	80	100	3	M6	4	11	23	4	12.5	M4	121	102	210
AK71	140	95	115	3	M8	4	14	30	5	16.1	M4	137	109	250
AK80	160	110	130	3.5	M8	4	19	40	6	21.5	M5	156	125	280
AK90S	160	110	130	3.5	M8	4	24	50	8	27	M8	176	140	310
AK90L														335
AK100L	200	130	165	3.5	M10	4	28	60	8	31	M8	196	150	370
AK112L	200	130	165	3.5	M10	4	28	60	8	31	M8	220	168	395
AK132S	250	180	215	4	M12	4	38	80	10	41	M12	260	188	465
AK132M														495

AK-series

Dimension sheet



MOUNTING B34

SIZE 56-132

TYPE	P	N	M	T	S	Z	H	A	B	AA	AB	BB	AC	HD	HA	K	D	E	F	GA	DB	L	C
AK56	80	50	65	2.5	M5	4	56	90	71	25	110	90	121	154	8	M6	9	20	3	10.2	M3	192	36
AK63	90	60	75	2.5	M5	4	63	100	80	34	120	110	121	165	8	M7	11	23	4	12.5	M4	210	40
AK71	105	70	85	2.5	M6	4	71	112	90	36	132	120	137	180	9	M7	14	30	5	16	M5	250	45
AK80	120	80	100	3	M6	4	80	125	100	41	152	132	156	205	10	M10	19	40	6	21.5	M6	280	50
AK90S	140	95	115	3	M8	4	90	140	100	47	168	140	176	230	12	M10	24	50	8	27	M8	310	56
AK90L									125			165										335	
AK100L	160	110	130	3.5	M8	4	100	160	140	50	192	176	196	250	12	M12	28	60	8	31	M10	370	63
AK112M	160	110	130	3.5	M8	4	112	190	140	60	222	180	220	280	14	M12	28	60	8	31	M10	395	71
AK132S	200	130	165	3.5	M10	4	132	216	140	61	248	224	260	320	15	M12	38	80	10	41	M12	465	89
AK132M									178			224										260	

BEARING SIZES FOR AK SERIES MOTORS

Frame	Drive-End		Non-Drive End	
	2p	4, 6, 8p	2p	4, 6, 8p
56	6201 C3	6201 C3	6201 C3	6201 C3
63	6201 C3	6201 C3	6201 C3	6201 C3
71	6202 C3	6202 C3	6202 C3	6202 C3
80	6204 C3	6204 C3	6204 C3	6204 C3
90	6205 C3	6205 C3	6205 C3	6205 C3
100	6206 C3	6206 C3	6206 C3	6206 C3
112	6306 C3	6306 C3	6306 C3	6306 C3
132	6308 C3	6308 C3	6308 C3	6308 C3