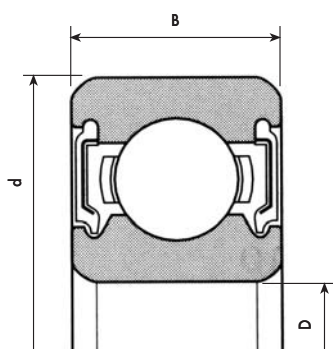




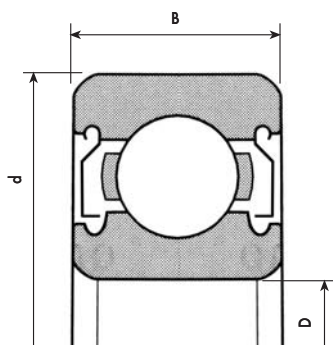
CUSCINETTI RADIALI RIGIDI A SFERA RCC

PRODOTTI DA AZIENDA CERTIFICATA ISO 9001

2RS



ZZ



TIPO	D mm	d mm	B mm	Carico dinamico KN	Carico statico KN	Peso kg
607 2RS - 607 ZZ	7	19	6	2.88	1.08	0.007
608 2RS - 608 ZZ	8	22	7	3.32	1.38	0.015
609 2RS - 609 ZZ	9	24	7	3.35	1.40	0.016
6000 2RS - 6000 ZZ	10	26	8	4.58	1.98	0.019
6001 2RS - 6001 ZZ	12	28	8	5.10	2.38	0.022
6002 2RS - 6002 ZZ	15	32	9	5.58	2.85	0.031
6003 2RS - 6003 ZZ	17	35	10	6.00	3.25	0.040
6004 2RS - 6004 ZZ	20	42	12	9.38	5.02	0.068
6005 2RS - 6005 ZZ	25	47	12	10.00	5.85	0.078
6006 2RS - 6006 ZZ	30	55	13	13.20	8.30	0.117
6007 2RS - 6007 ZZ	35	65	14	16.00	10.30	0.156
6008 2RS - 6008 ZZ	40	68	15	16.80	11.50	0.194
6009 2RS - 6009 ZZ	45	75	16	21.00	15.20	0.246
6010 2RS - 6010 ZZ	50	80	16	21.80	16.60	0.264
6011 2RS - 6011 ZZ	55	90	18	28.30	21.30	0.384
6012 2RS - 6012 ZZ	60	95	18	29.50	23.20	0.418
6013 2RS - 6013 ZZ	65	100	18	30.50	25.20	0.438
6200 2RS - 6200 ZZ	10	30	9	5.10	2.38	0.032
6201 2RS - 6201 ZZ	12	32	10	6.82	3.05	0.035
6202 2RS - 6202 ZZ	15	35	11	7.65	3.72	0.045
6203 2RS - 6203 ZZ	17	40	12	9.58	4.78	0.064
6204 2RS - 6204 ZZ	20	47	14	12.80	6.56	0.103
6205 2RS - 6205 ZZ	25	52	15	14.00	7.88	0.127
6206 2RS - 6206 ZZ	30	62	16	19.50	11.30	0.199
6207 2RS - 6207 ZZ	35	72	17	25.70	15.30	0.288
6208 2RS - 6208 ZZ	40	80	18	29.10	17.90	0.366
6209 2RS - 6209 ZZ	45	85	19	32.50	20.50	0.407
6210 2RS - 6210 ZZ	50	90	20	35.00	23.20	0.463
6211 2RS - 6211 ZZ	55	100	21	43.50	29.30	0.607
6212 2RS - 6212 ZZ	60	110	22	52.50	36.00	0.783
6214 2RS - 6214 ZZ	70	125	24	60.20	42.30	0.980
6300 2RS - 6300 ZZ	10	35	11	7.65	3.48	0.053
6301 2RS - 6301 ZZ	12	37	12	9.72	5.08	0.061
6302 2RS - 6302 ZZ	15	42	13	11.50	5.42	0.080
6303 2RS - 6303 ZZ	17	47	14	13.50	6.58	0.109
6304 2RS - 6304 ZZ	20	52	15	15.80	7.88	0.142
6305 2RS - 6305 ZZ	25	62	17	22.20	11.50	0.219
6306 2RS - 6306 ZZ	30	72	19	27.00	15.20	0.349
6307 2RS - 6307 ZZ	35	80	21	33.40	19.20	0.455
6308 2RS - 6308 ZZ	40	90	23	40.80	24.00	0.639
6309 2RS - 6309 ZZ	45	100	25	52.50	31.80	0.837
6310 2RS - 6310 ZZ	50	110	27	61.80	38.00	1.082
6311 2RS - 6311 ZZ	55	120	29	71.50	44.80	1.369
6312 2RS - 6312 ZZ	60	130	31	81.80	51.80	1.710
6313 2RS - 6313 ZZ	65	140	33	93.80	60.50	2.100
6314 2RS - 6314 ZZ	70	150	35	105.00	58.00	2.550
6315 2RS - 6315 ZZ	75	160	37	113.00	76.80	3.050