



DELTA ELECTRONICS, INC.

www.delta.com.tw/industrialautomation

ASIA

Delta Electronics, Inc.

Taoyuan1

31-1, Xingbang Road, Guishan Industrial Zone,
Taoyuan County 33370, Taiwan, R.O.C.
TEL: 886-3-362-6301 / FAX: 886-3-362-7267

Delta Electronics (Jiang Su) Ltd.

Wujiang Plant3

1688 Jiangxing East Road,
Wujiang Economy Development Zone,
Wujiang City, Jiang Su Province,
People's Republic of China (Post code: 215200)
TEL: 86-512-6340-3008 / FAX: 86-512-6340-7290

Delta Electronics (Japan), Inc.

Tokyo Office

Delta Shibadaimon Building, 2-1-14 Shibadaimon,
Minato-Ku, Tokyo, 105-0012, Japan
TEL: 81-3-5733-1111 / FAX: 81-3-5733-1211

Delta Electronics (Korea), Inc.

Donghwa B/D 3F, 235-6, Nonhyun-dong,
Kangnam-gu, Seoul 135-010, Korea
TEL: 82-2-515-5303/5 / FAX: 82-2-515-5302

Delta Electronics (Singapore) Pte. Ltd.

8 Kaki Bukit Road 2, #04-18 Ruby Warehouse Complex,
Singapore 417841
TEL: 65-6747-5155 / FAX: 65-6744-9228

Delta Energy Systems (India) Pvt. Ltd.

Plot No. 27 & 31, Sector-34, EHTP,
Gurgaon-122001 Haryana, India
TEL: 91-124-4169040 / FAX: 91-124-4036045

AMERICA

Delta Products Corporation (USA)

Raleigh Office

P.O. Box 12173, 5101 Davis Drive,
Research Triangle Park, NC 27709, U.S.A.
TEL: 1-919-767-3813 / FAX: 1-919-767-3969

EUROPE

Deltronics (The Netherlands) B.V.

Eindhoven Office

De Witbogt 15, 5652 AG Eindhoven, The Netherlands
TEL: 31-40-2592850 / FAX: 31-40-2592851

*We reserve the right to change the information in this catalogue without prior notice



VFD-EL

Compact Multi-function



VFD-EL Series

Features

• Power Range

- 1 phase 115V series: 0.2~0.75kW (0.25 ~1hp)
- 1 phase 230V series: 0.2~2.2kW (0.25 ~ 3hp)
- 3 phase 230V series: 0.2~3.7kW (0.25~5hp)
- 3 phase 460V series: 0.4~3.7kW (0.50~5hp)

• Side-by-side Installation(40°C)

High-efficiency cooling and flexible space



• Easy Maintenance

Removable cooling fan for easy maintenance



• Standard MODBUS Protocol

Standard MODBUS Protocol via RS-485

• Built-in EMI Filter(230V 1 phase and 460V 3 phase)

To reduce electromagnetic interference efficiently It was applied EN61800-3

• Compact Design

Space saving and easy DIN rail mounting with optional DIN rail adapter(Built in Frame B)

• Optional Fieldbus Modules

Provide connection to a variety of networks, including PROFIBUS, DeviceNet, LonWorks and CanOpen

• RFI-Switch for IT Mains

Removable "Y" capacitor for use on IT mains supplies



• Easy DC BUS Sharing

Multiple VFD-EL can be connected in parallel to share the regenerative braking energy. In this way, over-voltage is prevented and the DC-bus voltage stabilized. This function is not for 115V models

• Complete Protection Function

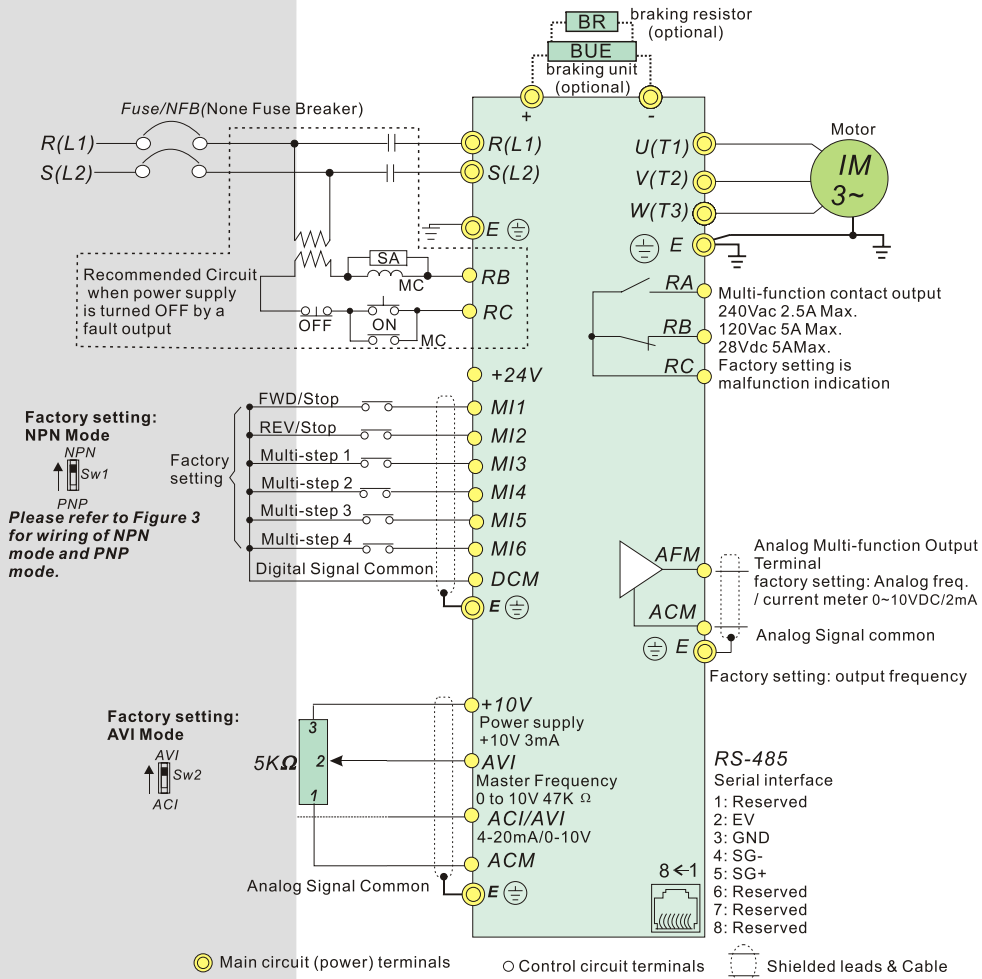
High precision current detection, full overload protection (oL, oL1 and oL2), over-voltage/over-current stall prevention, short-circuit protection, reset after fault, speed search function and motor overheat protection by PTC.

Variable Speed AC Motor Drive

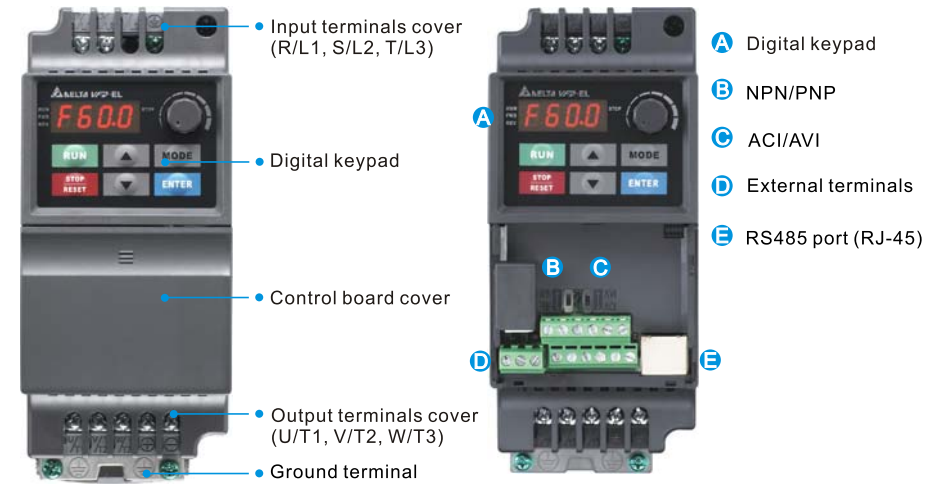


Basic Wiring Diagram

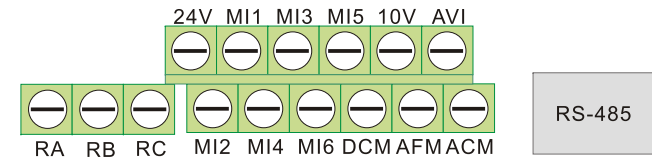
Figure 1 for models of VFD-EL Series
VFD002EL11A/21A, VFD004EL11A/21A, VFD007EL11A/21A, VFD015EL21A, VFD022EL21A



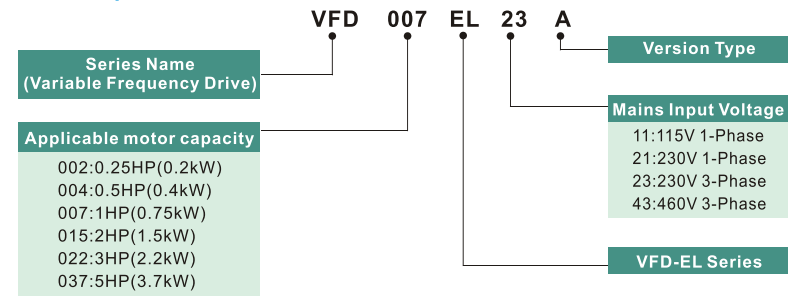
External Parts



Control Terminals



Model Explanation



VFD-EL Applications

Conveyor and Transportation Machinery

- Conveyor belt
- Automatic doors
- Roller door
- Small elevator
- Escalator
- Parking device
- X-Y axis of traveling crane

Food Processing

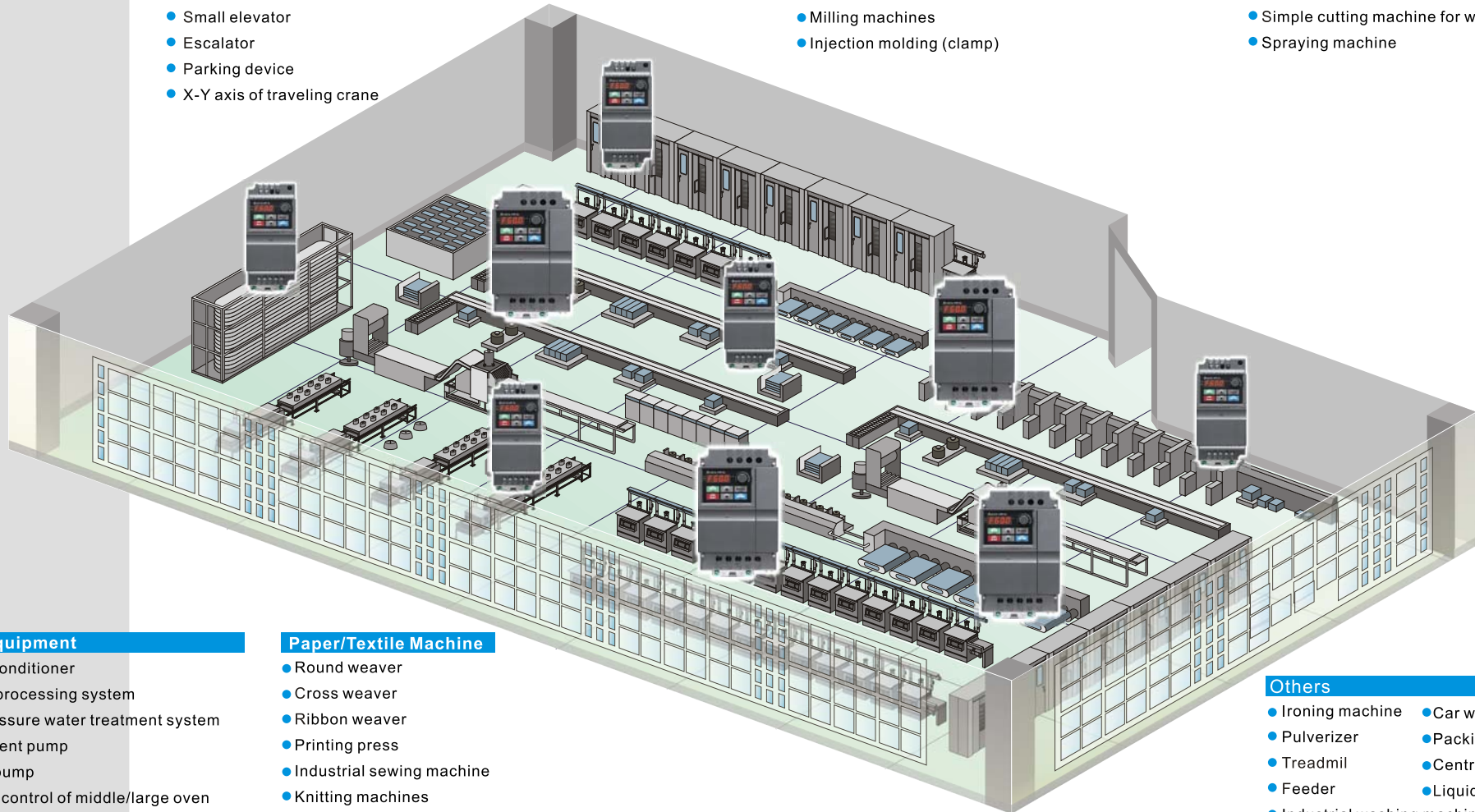
- Dumpling maker
- Food stirrer
- Noodle maker

Machine Tool/Metal Processing Machinery

- Grinder
- Drill
- Small lathe
- Milling machines
- Injection molding (clamp)

Wood Working Machinery

- 4 side planer
- Woodcarver
- Wood working machine
- Simple cutting machine for wood working
- Spraying machine



Fan/Pump Equipment

- Building air conditioner
- Wastewater processing system
- Constant pressure water treatment system
- Water treatment pump
- Agricultural pump
- Temperature control of middle/large oven
- Air compressor
- Heat exchange fans
- Building water dispenser system
- Dryer's windmill

Paper/Textile Machine

- Round weaver
- Cross weaver
- Ribbon weaver
- Printing press
- Industrial sewing machine
- Knitting machines

Others

- Ironing machine
- Car washing machine
- Pulverizer
- Packing machine
- Treadmil
- Centrifuge
- Feeder
- Liquid mixer
- Industrial washing machine

Variable Speed AC Motor Drive

Specifications



Voltage Class		115V		
Model Number VFD-___EL		002	004	007
Max. Applicable Motor Output (kW)		0.2	0.4	0.75
Max. Applicable Motor Output (HP)		0.25	0.5	1.0
Output Rating	Rated Output Capacity (kVA)	0.6	1.0	1.6
	Rated Output Current (A)	1.6	2.5	4.2
	Maximum Output Voltage (V)	3-Phase Proportional to Twice the Input Voltage		
Output Frequency (Hz)		0.1~600 Hz		
Carrier Frequency (kHz)		2-12		
Input Rating	Single-phase			
	Rated Input Current (A)	6	9	18
	Rated Voltage/Frequency	Single phase, 100-120V, 50/60Hz		
	Voltage Tolerance	±10%(90~132V)		
	Frequency Tolerance	±5%(47~63Hz)		
Cooling Method		Natural Cooling		Fan Cooling
Weight (kg)		1.2	1.2	1.2

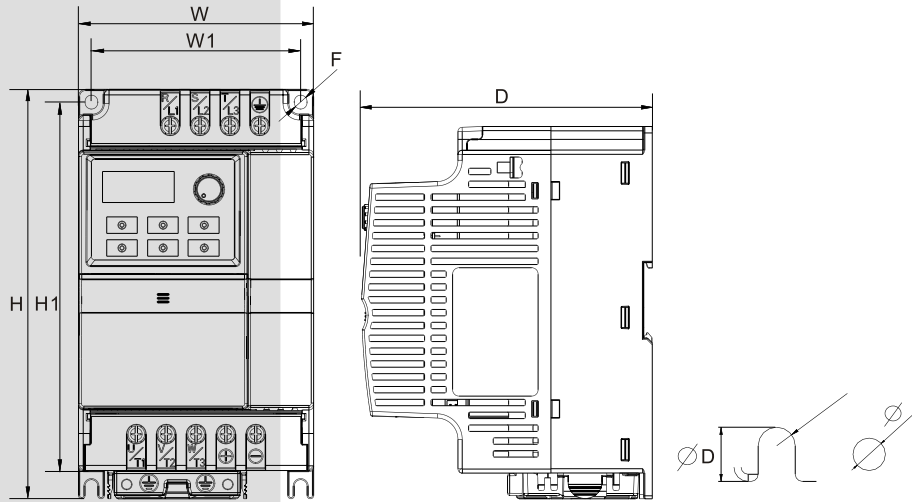
Voltage Class		230V						
Model Number VFD-___EL		002	004	007	015	022	037	
Max. Applicable Motor Output (kW)		0.2	0.4	0.75	1.5	2.2	3.7	
Max. Applicable Motor Output (HP)		0.25	0.5	1.0	2.0	3.0	5.0	
Output Rating	Rated Output Capacity (kVA)	0.6	1.0	1.6	2.9	4.2	6.5	
	Rated Output Current (A)	1.6	2.5	4.2	7.5	11.0	17.0	
	Maximum Output Voltage (V)	3-Phase Proportional to Input Voltage						
Output Frequency (Hz)		0.1~600 Hz						
Carrier Frequency (kHz)		1-15						
Input Rating	Single/3-phase							
	Rated Input Current (A)	4.9/1.9	6.5/2.7	9.7/5.1	15.7/9	24/15	20.6	
	Rated Voltage/Frequency	Single/3-phase 200-240V · 50/60Hz					3-phase 200-240V · 50/60Hz	
	Voltage Tolerance	±10%(180~264V)						
Frequency Tolerance		±5%(47~63Hz)						
Cooling Method		Natural Cooling			Fan Cooling			
Weight (kg)		1.1	1.1	1.1	1.9	1.9	1.9	

Voltage Class		460V Class				
Model Number VFD-___EL		004	007	015	022	037
Max. Applicable Motor Output (kW)		0.4	0.75	1.5	2.2	3.7
Max. Applicable Motor Output (HP)		0.5	1.0	2.0	3.0	5.0
Output Rating	Rated Output Capacity (kVA)	1.2	2.0	3.3	4.4	6.8
	Rated Output Current (A)	1.5	2.5	4.2	5.5	8.2
	Maximum Output Voltage (V)	3-Phase Proportional to Input Voltage				
Output Frequency (Hz)		0.1~600 Hz				
Carrier Frequency (kHz)		2-12				
Input Rating	3-phase					
	Rated Input Current (A)	1.9	3.2	4.31	7.1	11.2
	Rated Voltage/Frequency	3-phase, 380-480V, 50/60Hz				
	Voltage Tolerance	±10%(342~528V)				
	Frequency Tolerance	±5%(47~63Hz)				
Cooling Method		Natural Cooling			Fan Cooling	
Weight (kg)		1.2	1.2	1.2	1.9	1.9

Control Characteristics	Control System	SPWM(Sinusoidal Pulse Width Modulation) control (V/f control)	
	Frequency Setting Resolution	0.01Hz	
	Output Frequency Resolution	0.01Hz	
	Torque Characteristics	Including the auto-torque/auto-slip compensation; starting torque can be 150% at 5.0Hz	
	Overload Endurance	150% of rated current for 1 minute	
	Skip Frequency	Three zones, setting range 0.1-600Hz	
	Accel/Decel Time	0.1 to 600 seconds (2 Independent settings for Accel/Decel time)	
	Stall Prevention Level	Setting 20 to 250% of rated current	
	DC Braking	Operation frequency 0.1-600.0Hz, output 0-100% rated current Start time 0-60 seconds, stop time 0-60 seconds	
	Regenerated Braking Torque	Approx. 20% (up to 125% possible with optional brake resistor or externally mounted brake unit, 1-15hp (0.75-11kW) models have brake chopper built-in)	
Operating Characteristics	V/f Pattern	Adjustable V/f pattern Setting by ▲▼	
	Frequency Setting	Keypad	Setting by ▲▼
		External Signal	Potentiometer-5k/0.5W, 0 to +10VDC, 4 to 20mA, RS-485 interface; Multi-function Inputs 3 to 6 (15 steps, Jog, up/down)
	Operation Setting Signal	Keypad	Set by RUN and STOP
		External Signal	2 wires/3 wires (MI1, MI2, MI3), JOG operation, RS-485 serial interface (MODBUS), programmable logic controller
	Multi-function Input Signal	Multi-step selection 0 to 15, Jog, accel/decel inhibit, 2 accel/decel switches, counter, external Base Block, ACI/AVI selections, driver reset, UP/DOWN key settings, NPN/PNP input selection	
	Multi-function Output Indication	AC drive operating, frequency attained, zero speed, Base Block, fault indication, overheat alarm, emergency stop and status selections of input terminals	
Analog Output Signal	Output frequency/current		
Alarm Output Contact	Contact will be ON when drive malfunctions (1 Form C/change-over contact or 1 open collector output)		
Operation Functions	AVR, accel/decel S-Curve, over-voltage/over-current stall prevention, 5 fault records, reverse inhibition, momentary power loss restart, DC braking, auto torque/slip compensation, adjustable carrier frequency, output frequency limits, parameter lock/reset, PID control, external counter, MODBUS communication, abnormal reset, abnormal re-start, power-saving, fan control, sleep/wake frequency, 1st/2nd frequency source selections, 1st/2nd frequency source combination, NPN/PNP selection		
Protection Functions	Over voltage, over current, under voltage, external fault, overload, ground fault, overheating, electronic thermal, IGBT short circuit, PTC		
Display Keypad (optional)	6-key, 7-segment LED with 4-digit, 4 status LEDs, master frequency, output frequency, output current, custom units, parameter values for setup and lock, faults, RUN, STOP, RESET, FWD/REV		
Built-in EMI Filter	For 230V 1-phase and 460V 3-phase models.		
Environmental Conditions	Enclosure Rating	IP20	
	Pollution Degree	2	
	Installation Location	Altitude 1,000 m or lower, keep from corrosive gasses, liquid and dust	
	Ambient Temperature	-10°C to 50°C (40°C for side-by-side mounting) Non-Condensing and not frozen	
	Storage/Transportation Temperature	-20°C to 60°C	
	Ambient Humidity	Below 90% RH (non-condensing)	
Vibration	9.80665m/s ² (1G) less than 20Hz, 5.88m/s ² (0.6G) at 20 to 50Hz		
Approvals			

Dimensions & Options

Accessories



Unit: mm(inch)

Model	W	W1	H	H1	D	F
VFD002EL11A						
VFD002EL21A						
VFD002EL23A						
VFD004EL11A						
VFD004EL21A						
VFD004EL23A	72.0 (2.83)	59.0 (2.32)	174.0 (6.86)	151.6 (5.97)	136.0 (5.35)	5.4 (0.21)
VFD004EL43A						
VFD007EL21A						
VFD007EL23A						
VFD007EL43A						
VFD015EL23A						
VFD015EL43A						
VFD007EL11A						
VFD015EL21A						
VFD022EL21A	100.0 (3.94)	89.0 (3.50)	174.0 (6.85)	162.9 (6.42)	136.0 (5.35)	5.4 (0.21)
VFD022EL23A						
VFD022EL43A						
VFD037EL23A						
VFD037EL43A						

Fieldbus Modules

- DeviceNet
CME-DN01



- ProfiBus
CME-PD01



- LonWorks
CME-LW01



- CANOpen



Others

- Zero phase reactor



- Keypad for communication (PU 06)



- DIN Rail (Width 35mm)



(B frame, in order to build in the standard)

(A frame, in order to choose)

- Grounding plate



- Brake resistor



- Brake unit

