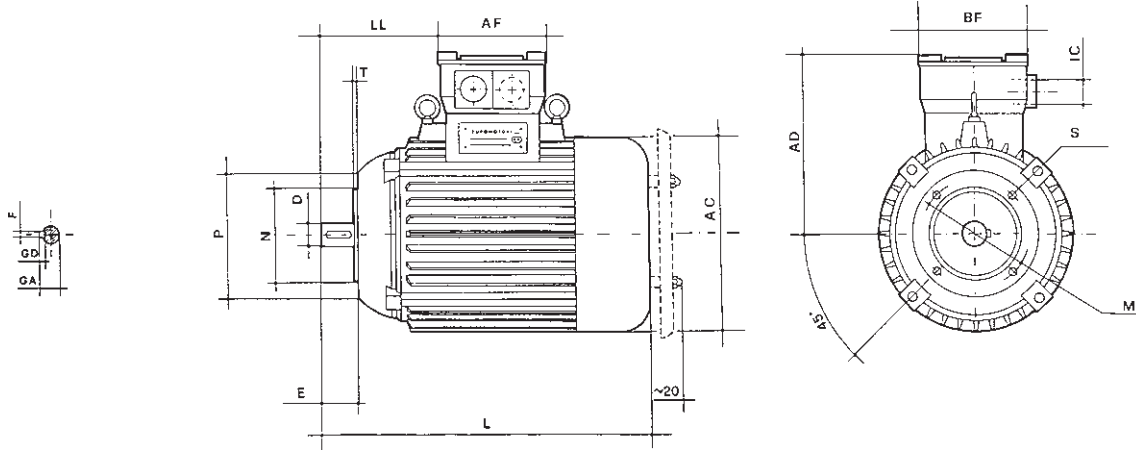
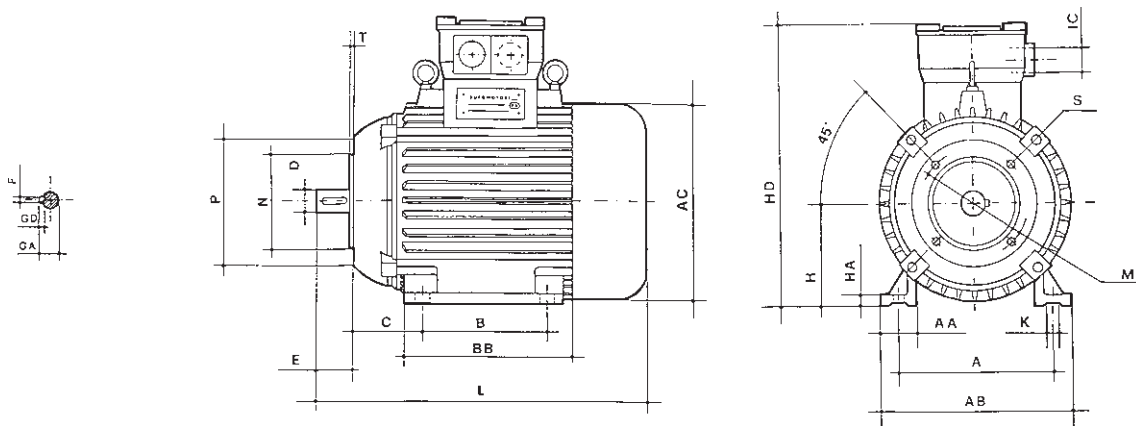


B14



B3/B14



DIMENSIONI D'INGOMBRO - OVERALL DIMENSIONS - ENCOMBREMENTS B14 - B3/B14

| Tipo | A | AA | AB | AC | AD | AF | B | BB | BF | C | D | E | F | GA | GD | K | L | LL | M | N | P | S | T | IC - GK |
|---------------|-----|----|-----|-----|-----|-----|-----|-----|-----|----|----|----|---|------|----|----|-----|-----|-----|-----|-----|----|-----|----------|
| ASA 56 B | 90 | 20 | 110 | 120 | 120 | 70 | 71 | 90 | 70 | 36 | 9 | 20 | 3 | 10,2 | 3 | 6 | 210 | 45 | 65 | 50 | 80 | M5 | 2,5 | 1 x 1/2" |
| ASA 63 A/B | 100 | 31 | 131 | 125 | 134 | 94 | 80 | 106 | 102 | 40 | 11 | 23 | 4 | 12,5 | 4 | 7 | 260 | 75 | 75 | 60 | 90 | M5 | 2,5 | 1 x 1/2" |
| ASA 71 A/B | 112 | 37 | 141 | 140 | 150 | 94 | 90 | 128 | 102 | 45 | 14 | 30 | 5 | 16 | 5 | 7 | 295 | 62 | 85 | 70 | 105 | M6 | 2,5 | 1 x 1/2" |
| ASA 80 A/B | 125 | 35 | 160 | 158 | 171 | 118 | 100 | 153 | 123 | 50 | 19 | 40 | 6 | 21,5 | 6 | 10 | 316 | 102 | 100 | 80 | 120 | M6 | 3 | 1 x 3/4" |
| ASA 90 S | 140 | 41 | 180 | 177 | 178 | 118 | 100 | 174 | 123 | 56 | 24 | 50 | 8 | 27 | 8 | 10 | 360 | 125 | 115 | 95 | 140 | M8 | 3 | 1 x 3/4" |
| ASA 90 L | 140 | 41 | 180 | 177 | 178 | 118 | 125 | 174 | 123 | 56 | 24 | 50 | 8 | 27 | 8 | 10 | 360 | 125 | 115 | 95 | 140 | M8 | 3 | 1 x 3/4" |
| ASA 100 LW-LX | 160 | 44 | 205 | 199 | 207 | 135 | 140 | 183 | 159 | 63 | 28 | 60 | 8 | 31 | 8 | 12 | 410 | 145 | 130 | 110 | 160 | M8 | 3,5 | 1 x 3/4" |
| ASA 112 M | 190 | 45 | 225 | 222 | 214 | 135 | 140 | 206 | 159 | 70 | 28 | 60 | 8 | 31 | 8 | 12 | 460 | 165 | 130 | 110 | 160 | M8 | 3,5 | 2 x 1" |

A richiesta flangia ridotta - Reduced flange on request - Sur demande bride réduite